

NSF

Components.

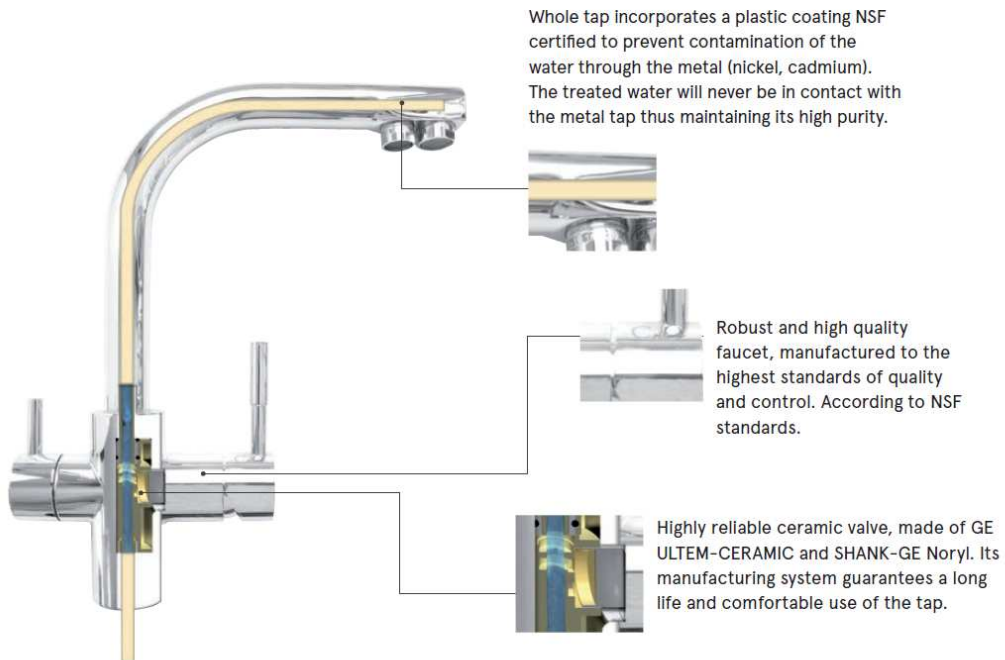
Pipes made of food-grade plastic materials.



Metal free.
Market leaders in the manufacture
of faucets without heavy metals.



Avoid heavy
metals in your
drinking water.

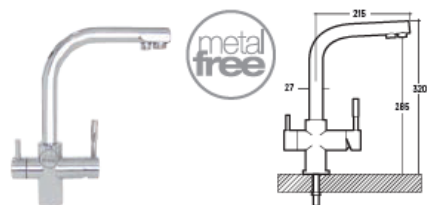


Whole tap incorporates a plastic coating NSF certified to prevent contamination of the water through the metal (nickel, cadmium). The treated water will never be in contact with the metal tap thus maintaining its high purity.

Robust and high quality faucet, manufactured to the highest standards of quality and control. According to NSF standards.

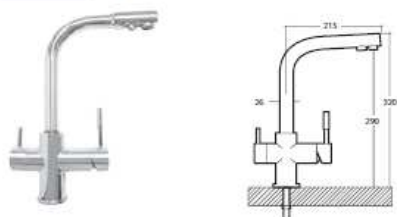
Highly reliable ceramic valve, made of GE ULTEM-CERAMIC and SHANK-GE Noryl. Its manufacturing system guarantees a long life and comfortable use of the tap.

Code	Packaging units	Model	Tube connection	Description
298003		Forum-MF	3/8" F	3-way Metal Free shiny chrome finish



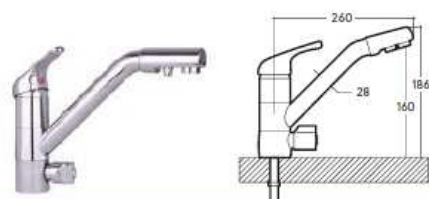
153.75€

Code	Packaging units	Model	Tube connection	Description
298000		Forum	3/8" F	Shiny chrome 3-way single-handle faucet



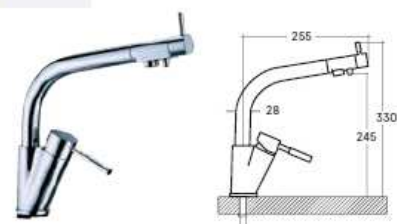
96.50€

Code	Packaging units	Model	Tube connection	Description
579400		Cosmo	3/8" F	3-way single-handle faucet in shiny chrome



91.50€

Code	Packaging units	Model	Tube connection	Description
298100		Oregon	3/8" F	Shiny chrome 3-way single-handle faucet special location of RO water handle



167.80€